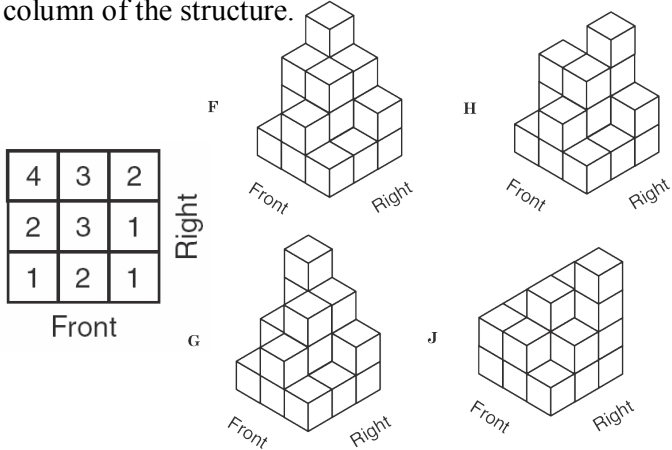


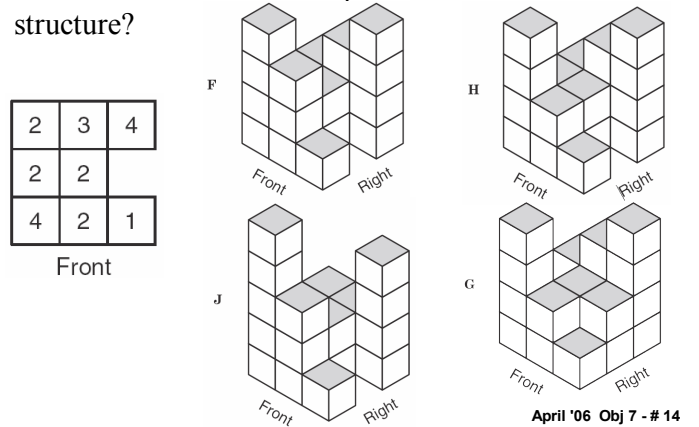
Objective 7 - Page 2 of 6

The drawing shows the top view of a structure built with cubes as well as the number of cubes in each column of the structure.



July '06 Obj 7 - # 60

The diagram below shows the top view of a structure built with identical cubes, as well as the number of cubes in each column of the structure. Which 3-dimensional view best represents the same structure?



April '06 Obj 7 - # 14

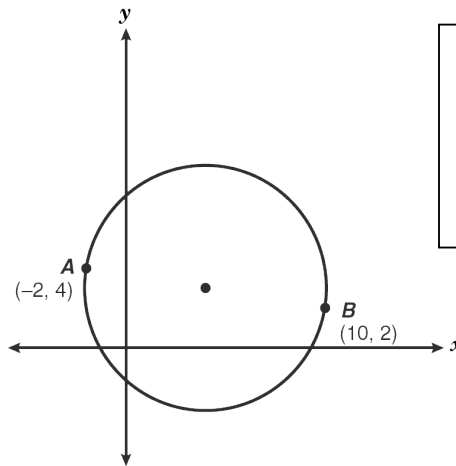
Which of the following relationships could not be used to determine the length of \overline{DR} , as shown below?



- A** $DF + FQ + QR = DR$
- B** $DQ + QR = DR$
- C** $DQ + FR = DR$
- D** $DF + FR = DR$

April '06 Obj 7 - # 9

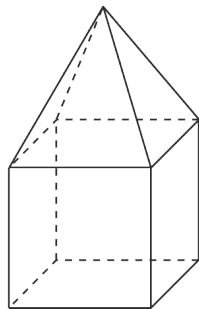
\overline{AB} is a diameter of the circle shown below. Which is closest to the length of the radius of the circle?



- A** 3.1 units
- B** 4.3 units
- C** 6.1 units
- D** 12.2 units

April '06 Obj 7 - # 25

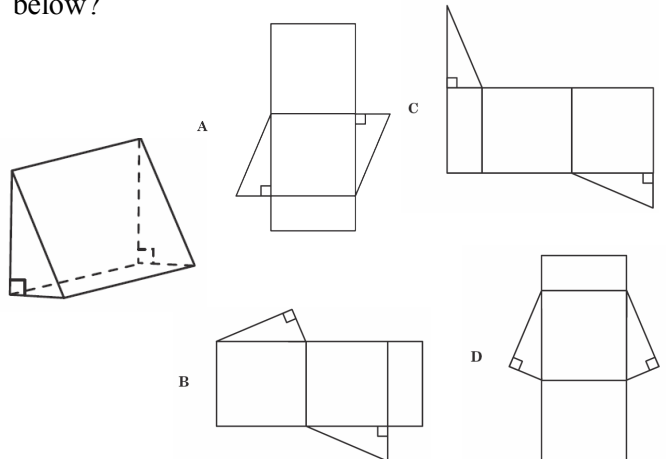
How many faces, edges, and vertices does the solid shown below have?



- F** 4 faces, 10 edges, and 7 vertices
- G** 9 faces, 10 edges, and 8 vertices
- H** 10 faces, 16 edges, and 9 vertices
- J** 9 faces, 16 edges, and 9 vertices

April '06 Obj 7 - # 10

Which net best represents the triangular prism shown below?



April '06 Obj 7 - # 31