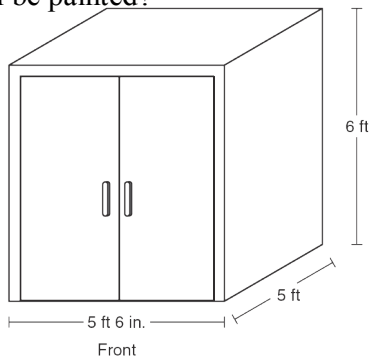


Objective 8 - Page 3 of 6

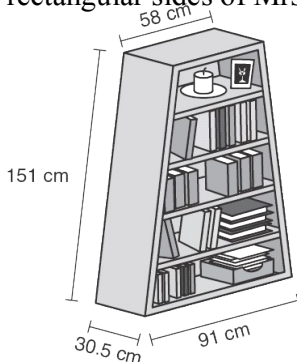
Henry built a wooden storage shed in the shape of a rectangular prism for his tools. The figure below shows the dimensions of the storage shed. If Henry plans to paint only the top, front, left, and right sides of his shed, which is closest to the surface area that will be painted?



- A 121 ft²
- B 181 ft²
- C 154 ft²
- D 91 ft²

April '06 Obj 8 - # 27

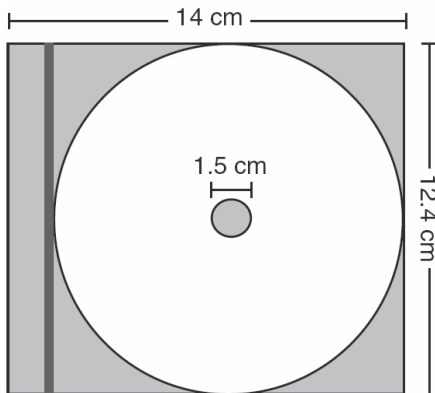
Mrs. Wong has a bookcase shaped like an isosceles trapezoid. The height of the bookcase is approximately 150 centimeters. The other dimensions are shown below. Which of the following is closest to the surface area of the top, left, and right rectangular sides of Mrs. Wong's bookcase?



- A 11,000 cm²
- B 22,000 cm²
- C 36,000 cm²
- D 9,000 cm²

Feb '06 Obj 8 - # 7

The figure below shows a CD in its rectangular storage case. Which is closest to the area of the storage case not occupied by the CD?



- A 55 cm²
- B 46 cm²
- C 51 cm²
- D 60 cm²

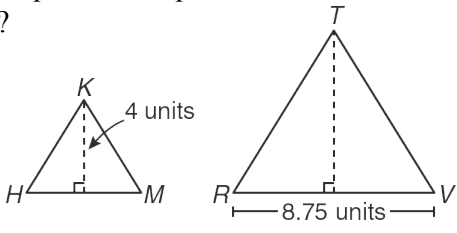
April '06 Obj 8 - # 35

Troy used chalk to outline a triangular plot of land in his backyard. The plot of land has a perimeter of 26 feet, with its longest side measuring 8 feet 10 inches. Troy wants to outline a second triangular plot of land similar to the first but with a perimeter of 42 feet. Which of these is closest to the measure of the longest side of the second triangular plot of land?

- F 17 ft 2 in.
- G 13 ft 1 in.
- H 14 ft 3 in.
- J 17 ft 11 in.

Feb '06 Obj 8 - # 14

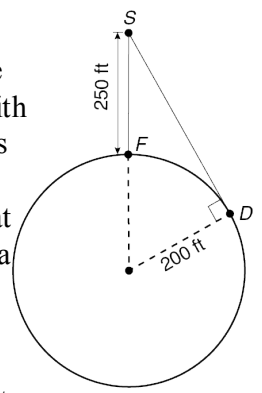
In the figures below, $\triangle HKM \sim \triangle RTV$, and the area of $\triangle HKM$ is equal to 10 square units. What is the area of $\triangle RTV$?



- A 30.625 square units
- B 87.5 square units
- C 21.875 square units
- D 61.25 square units

April '06 Obj 8 - # 51

Mr. Krueger attended an event at the Good Time Sports Arena. The arena is in the shape of a circle with a radius of 200 feet. He parked his car in the lot at point S , which is 250 feet away from the entrance at point F . Mr. Krueger left the arena through the exit at point D and walked a straight-line path to his parked car. About how far away was his parked car from the exit at point D ?



- F 200 ft
- G 403 ft
- H 492 ft
- J 650 ft

Feb '06 Obj 8 - # 16