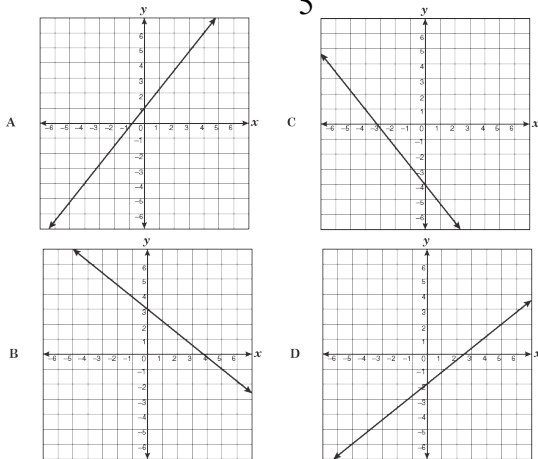


Objective 7 - Page 3 of 6

Which graph best represents a line that is parallel to the graph of the equation $y = -\frac{4}{5}x - 2$?



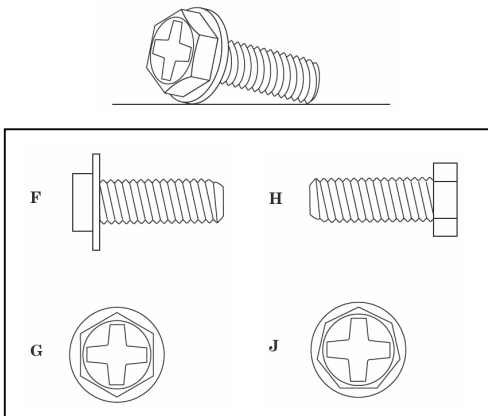
April '06 Obj 7 - # 45

The midpoint of \overline{AB} is M . If the coordinates of M are $(\frac{1}{2}, -2)$ and the coordinates of B are $(6, 1)$, what are the coordinates of A ?

- A $(-5, -5)$
- B $(2, -10)$
- C $(-3\frac{1}{4}, -1\frac{1}{2})$
- D $(-5, 5)$

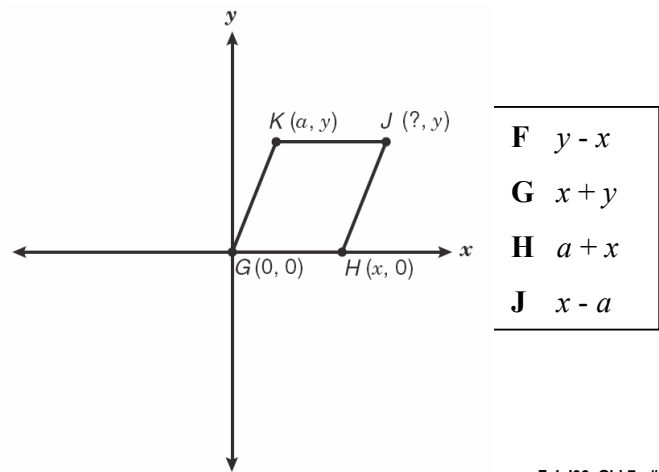
Feb '06 Obj 7 - # 17

The illustration below shows a 3-dimensional view of a screw. Which of the following best represents a front, a side, or a top view of this screw?



April '06 Obj 7 - # 60

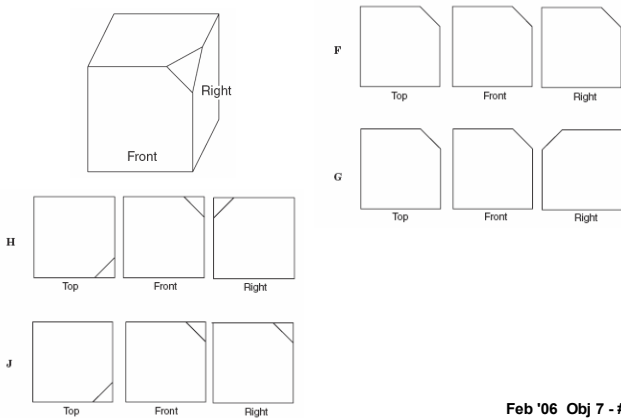
Parallelogram $GHJK$ is shown below. Which of the following represents the x -value of point J ?



- F $y - x$
- G $x + y$
- H $a + x$
- J $x - a$

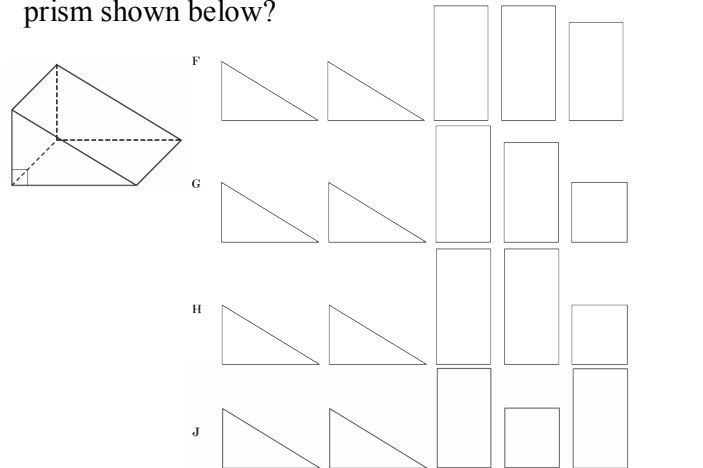
Feb '06 Obj 7 - # 20

The figure shown below is a cube with a corner sliced off. Which of the following sets of 2-dimensional drawings shows the top, front, and right views of the figure above?



Feb '06 Obj 7 - # 8

Which set of figures can be used to construct a representation of the surface area of the triangular prism shown below?



Feb '06 Obj 7 - # 24